



GFC *Floor Counting Scales*

The GFC is a fully featured counting scale with numeric keypad for unit weight and sample entry. The bright large backlit display shows unit weight, total weight and number of pieces. A grade 304 stainless steel top pan with mild steel base and pillar mounted ABS plastic indicator, make the GFC a durable industrial floor counting scale.

With features that are built to make counting quick and easy the GFC offers check counting for counting to a predefined weight or count. The RS-232 interface makes recording the results effortless with connection to printers and computers.



GFC Floor Counting Scales

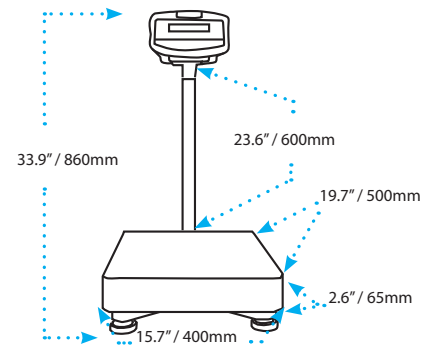
Features

- Backlit LCD shows weight, unit weight and count in one convenient location
- Programmable backlight can be set to "always on", "always off" or "light only when weighing"
- Adjustable leveling feet help optimise setup
- Colour-coded keys facilitate quick recognition of the most frequently used buttons
- Large, grade 304 stainless steel pan allows easy cleaning
- RS-232 interface for connection to computers and printers
- Rugged construction stands up to industrial use
- Audible overload alarm warns when capacity has been exceeded
- External calibration allows for verification and adjustment with weights
- Internal counting resolution 1:600,000 for precision results

- Parts counting with freely selectable sample sizes
- Parts counting optimisation automatically refines piece weight as parts are added
- Preset tare function speeds the process of repetitive weighing
- Selectable digital filtering helps minimise effects of vibration and disturbances
- Zero-tracking feature ensures display returns to zero reading
- Rechargeable battery included for operation virtually anywhere
- Programmable auto power-off to save energy

Applications

- Weighing
- Parts counting
- Checkcounting

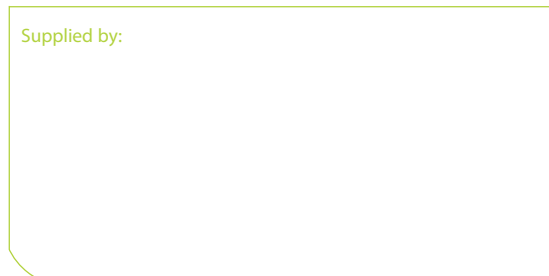


Model	GFC 75	GFC 150	GFC 300
Capacity	75kg	150kg	300kg
Readability	0.005kg	0.01kg	0.02kg
Repeatability (S.D.)	5g	10g	20g
Linearity (+/-)	10g	20g	40g
Pan Size	400x500mm		
Weighing Units	kg		
Stabilisation Time (sec)	2		
Interface	RS-232		
Calibration	External calibration		
Display	Backlit LCD with 20mm-high digits		
Power Supply	Mains power cord / Internal rechargeable battery		
Operating Temperature	-10° to 40°C		
Housing	ABS		
Overall Dim.	400x620x860mm		
Net Weight	12.5kg		

Accessories

- 3052010526 In-use cover
- 1120011156 ATP Adam thermal printer
- 3126011263 ATP printer paper
- 3126011281 ATP printer paper (pack of 10)
- 3074010266 RS-232 cable (null-modem)
- 3074010507 RS-232 to USB adapter (must order corresponding RS-232 cable)
- 600002028 Adam DU data collection program
- 700660290 Calibration certificate

Supplied by:



With more than forty years of experience in the production of balances and scales, professionals worldwide rely on Adam for feature-rich, quality products with best-in-class value - The right balance of speed, performance and value.