

GBK Bench Checkweighing Scales

The GBK weighing scales are built to stand up to industrial use. With its compact, sturdy stainless steel platform, the GBK bench scale can sit on a cart, table or on the floor, and is ideal for parts counting, batching or routine weighing in industrial settings. Oversized rubber feet offer stability, while the cast aluminum frame provides even weight distribution and ensures consistent readings regardless of where the object is placed during weighing. The GBK's intuitive software functions save time and reduce errors when logging data, and the RS-232 interface simplifies connection to computers or printers. Power is supplied by either a mains power cord or built-in, rechargeable battery, making it easy to use anywhere. For application that are selling by weight look to the GBK-M versions.



GBK Bench Checkweighing Scales

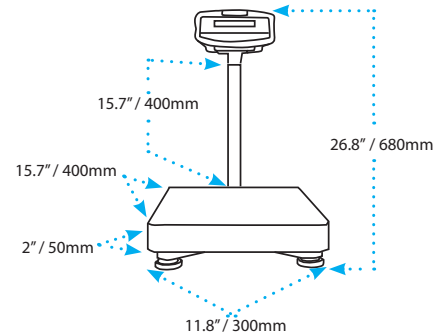
Features

- Vivid, backlit LCD easily visible in any lighting conditions
- Capacity tracker built into display for easily monitoring possible overloads
- Checkweighing LEDs light to clearly show under, over and acceptable limits
- Programmable backlight can be set to "always on", "always off" or "light only when weighing"
- Colour-coded keys facilitate quick recognition of the most frequently used buttons
- Level indicator and adjusting feet ensure proper balance setup for optimum weighing results
- Large, grade 304 stainless steel pan allows easy cleaning
- RS-232 interface for connection to computers and printers
- Rugged construction stands up to industrial use
- Sealed keypad protects against dirt and accidental spills
- Overload protection helps prevent damage to internal components

- Checkweighing with audible alarm
- External calibration allows for verification and adjustment with weights
- Memory accumulation totals results
- Parts counting with freely selectable sample sizes
- Parts counting optimisation automatically refines piece weight as parts are added
- Preset tare function speeds the process of repetitive weighing
- Hold function freezes the displayed weight, allowing time to lapse without losing the result
- Selectable digital filtering for animal/dynamic weighing delivers stable results for moving subjects
- Selectable digital filtering helps minimise effects of vibration and disturbances
- Zero-tracking feature ensures display returns to zero reading
- Rechargeable battery included for operation virtually anywhere
- Programmable auto power-off to save energy

Applications

- Weighing
- Parts counting
- Percentage weighing
- Checkweighing
- Checkcounting
- Dynamic / animal weighing
- Accumulation of weight



Model	GBK 8	GBK 16	GBK 32	GBK 60	GBK 120	GBK 6M	GBK 15M	GBK 30M	GBK 60M	GBK 150M
Capacity	8kg	16kg	32kg	60kg	120kg	6kg	15kg	30kg	60kg	150kg
Readability	0.1g	0.5g	1g	2g	0.005kg	0.002kg	0.005kg	0.01kg	0.02kg	0.05kg
Repeatability (S.D.)	0.2g	1g	2g	4g	10g	4g	10g	20g	40g	100g
Linearity (+/-)	0.3g	1g	2g	4g	10g	4g	10g	20g	40g	100g
Pan Size	300x400mm									
Weighing Units	g, kg				kg		kg			
Stabilisation Time (sec)	2									
Interface	RS-232									
Calibration	External calibration									
Display	Backlit LCD with 20mm-high digits									
Power Supply	Mains power cord / Internal rechargeable battery									
Operating Temperature	-10° to 40°C									
Housing	ABS									
Overall Dim.	300x520x680mm									
Net Weight	7.60kg									
Approvals	N/A					EC type approval / NRCS approved / National Measurement Institute				

With more than forty years of experience in the production of balances and scales, professionals worldwide rely on Adam for feature-rich, quality products with best-in-class value - The right balance of speed, performance and value.

Supplied by:

Accessories

- 3052010526 In-use cover
- 1120011156 ATP Adam thermal printer
- 3126011263 ATP printer paper
- 3126011281 ATP printer paper (pack of 10)
- 3074010266 RS-232 cable (null-modem)
- 3074010507 RS-232 to USB adapter (must order corresponding RS-232 cable)
- 600002028 Adam DU data collection program