

## **GBC** Bench Counting Scales

The GBC is a fully featured counting scale with numeric keypad for unit weight and sample entry. The bright large backlit display shows unit weight, total weight and number of pieces. A grade 304 stainless steel top pan with mild steel base and pillar mounted ABS plastic indicator, make the GBC a durable industrial floor counting scale. Power is supplied by mains power cord or the built-in, rechargeable battery.



# GBC Bench Counting Scales

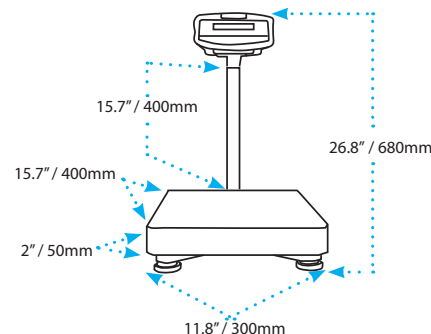
## Features

- Backlit LCD shows weight, unit weight and count in one convenient location
- Programmable backlight can be set to "always on", "always off" or "light only when weighing"
- Adjustable leveling feet help optimise setup
- Colour-coded keys facilitate quick recognition of the most frequently used buttons
- RS-232 interface for connection to computers and printers
- Rugged construction stands up to industrial use
- Splash-proof housing, keypad and display mean easy cleaning and peace of mind
- Audible overload alarm warns when capacity has been exceeded
- External calibration allows for verification and adjustment with weights
- Internal counting resolution 1:600,000 for precision results

- Parts counting with freely selectable sample sizes
- Parts counting optimisation automatically refines piece weight as parts are added
- Preset tare function speeds the process of repetitive weighing
- Printouts include date and time for data tracking within Good Laboratory Practices (GLP) guidelines
- Zero-tracking feature ensures display returns to zero reading
- Rechargeable battery included for operation virtually anywhere
- Programmable auto power-off to save energy

## Applications

- Weighing
- Parts counting
- Checkcounting



Model	GBC 16	GBC 32	GBC 60
Capacity	16kg	32kg	60kg
Readability	0.5g	1g	2g
Repeatability (S.D.)	1g	2g	4g
Linearity (+/-)	1g	2g	4g
Internal Counting Resolution	1:600,000	1:600,000	1:600,000
Pan Size	300x400mm		
Weighing Units	kg		
Stabilisation Time (sec)	2		
Interface	RS-232, Optional USB		
Calibration	External calibration		
Display	Backlit LCD with 20mm-high digits		
Power Supply	Mains power cord / Internal rechargeable battery		
Operating Temperature	-10° to 40°C		
Housing	Die cast aluminum		
Overall Dim.	300x520x680mm (wxdxh)		
Net Weight	7.6kg		

With more than forty years of experience in the production of balances and scales, professionals worldwide rely on Adam for feature-rich, quality products with best-in-class value - The right balance of speed, performance and value.

Supplied by:

## Accessories

- 3052010526 In-use cover
- 1120011156 ATP Adam thermal printer
- 3126011263 ATP printer paper
- 3126011281 ATP printer paper (pack of 10)
- 3074010266 RS-232 cable (null-modem)
- 3074010507 RS-232 to USB adapter (must order corresponding RS-232 cable)
- 600002028 Adam DU data collection program