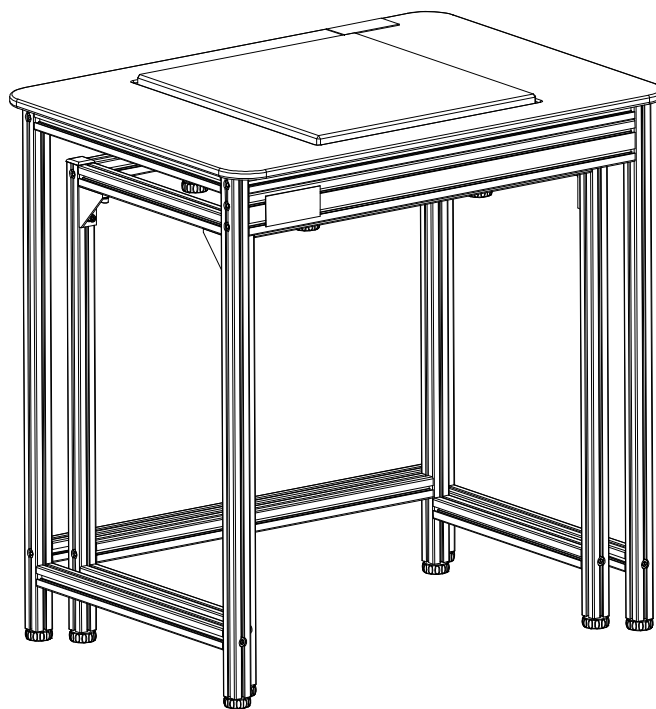


Anti-Vibration Table

(P.N.304666011 – Rev B1 November 2011)



Thank you for purchasing an AE Adam Anti vibration table, we hope that you will be satisfied with your purchase, if you have any questions concerning the assembly of your table then please contact your distributor or nearest AE Adam office, details of which can be found on our website: www.adamequipment.com

AVT Assembly Instructions

1. Inner Frame Assembly:

Step One: Open the packing box, take out the top, middle, lower packing assemblies and the accessory bags, See Figure 1.

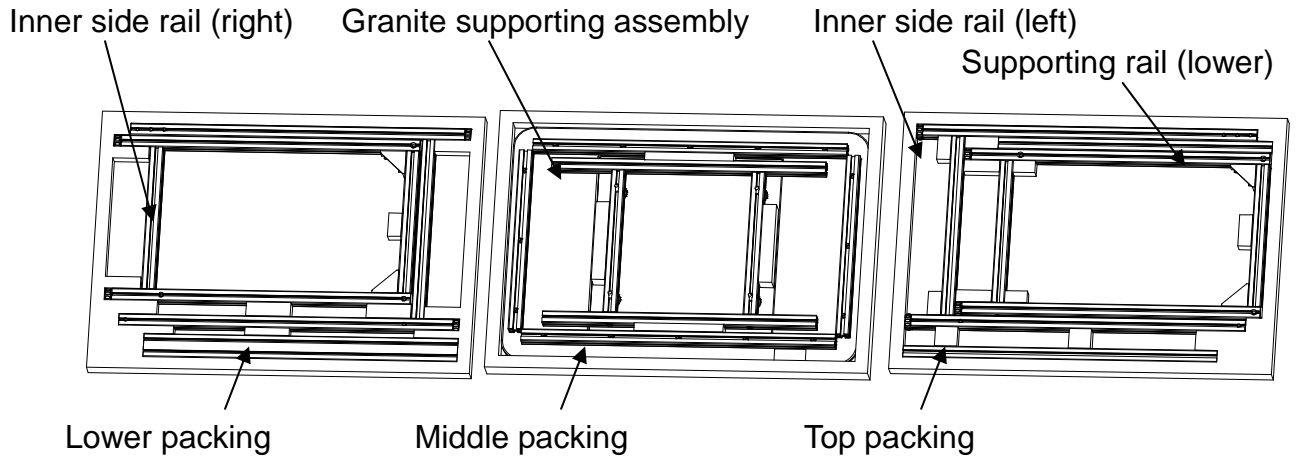


Figure 1: Inner frame packing

Step Two: Remove the Inner side rail (right) from the lower packing, the granite supporting rails from middle packing and the inner side rail (left) from the top packing.

Fix them using four M8x40 screws with the hex key provided.

Remove the supporting rail (lower) from the top packing and fix it with two M8 x 40 screws. You can open the 2 side frames a little in order to put the rails inside the frames, and then tighten the 6 screws as Figure 2 shows.

Please make sure the 2 sides are parallel and even after the screws are tightened.

Now fit the 4 x rubbers as Figure 3 shows.

Lastly fit the granite, please make sure it is centrally positioned. Please see Figure 4. Figure 5 shows the assembled table.

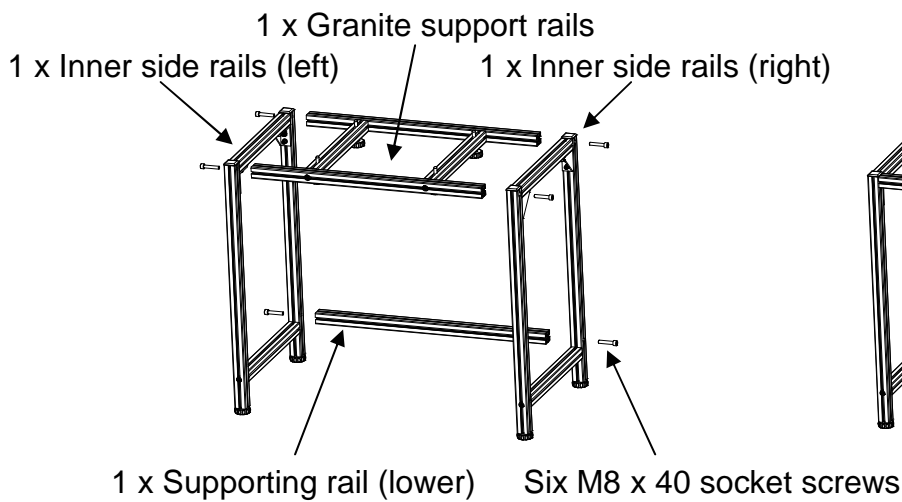


Figure 2:
Inner frame assembly

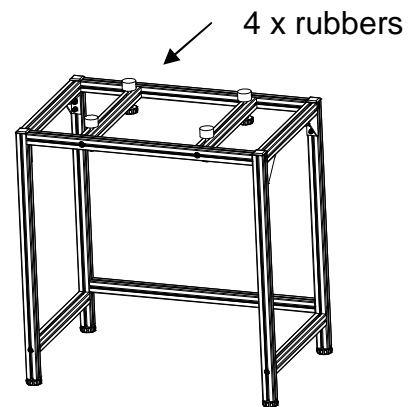


Figure 3:
Assembled inner frame

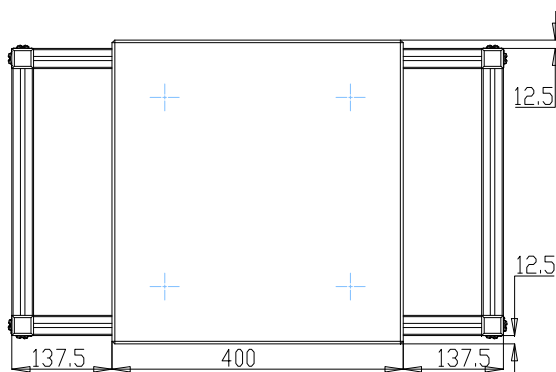


Figure 4:
Correct position of the granite



Figure 5:
Assembled inner frame with granite

2. Outer Frame Assembly

Remove the outer side rail (right) from the lower packing, the table top assembly from the middle packing and the outer side rail (left) from the top packing (see Figure 6).

Fix them using four M8x40 screws with the hex key provided.

Remove the outer table supporting rail (upper front) from the lower packing and fix it with four M8 x 40 screws.

Remove the outer table supporting rail (lower) from the top packing and fix it with two M8 x 40 screws. You can open the 2 side frames a little in order to put the rails inside the

frames and then tighten the 10 screws as Figure 7 shows.

Make sure the 2 sides are all parallel after the screws are tight.

You can see the assembled view in Figure 8

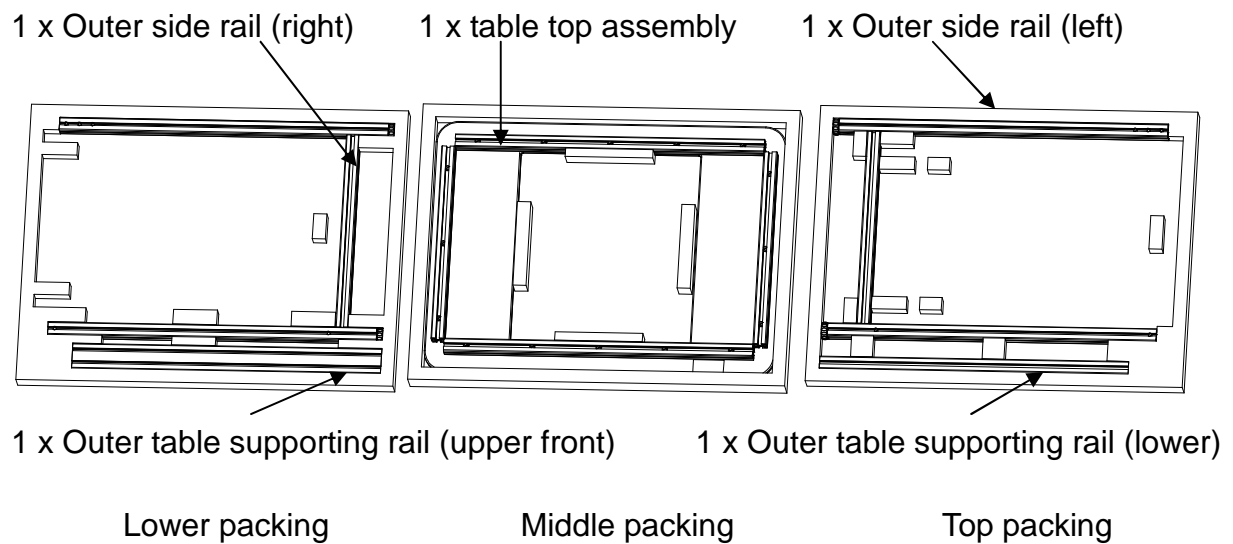


Figure 6: Outer frame packing

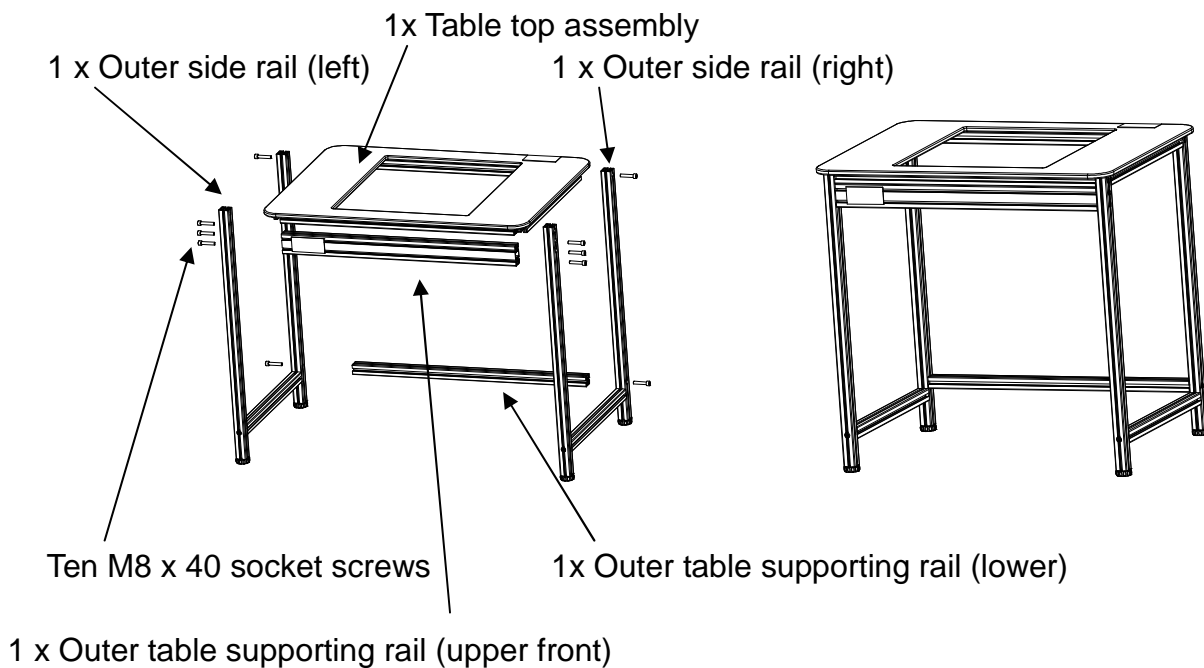


Figure 7: Outer frame assembly drawing



Figure 8: Assembled outer frame

3. Final Assembly

Place the outer frame over the inner frame and adjust the feet for the outer and inner frames so that they are level. Adjust the granite rubbers to ensure the granite is 2-5mm higher than the table top and that it is firmly positioned. Please see Figure 9.

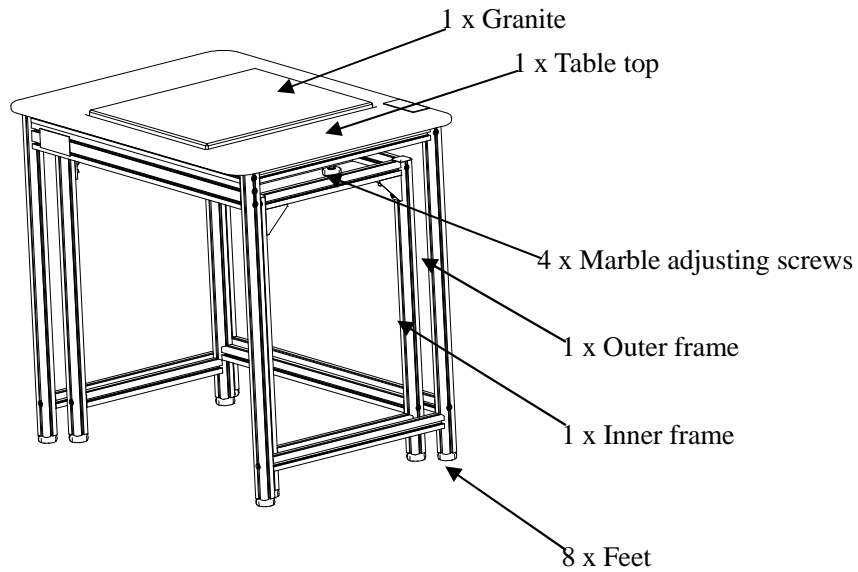


Figure 9: Final assembly drawing

ADAM EQUIPMENT is an ISO 9001:2008 certified global company with more than 35 years experience in the production and sale of electronic weighing equipment.

Adam products are predominantly designed for the Laboratory, Educational, Medical, retail and Industrial Segments. The product range can be described as follows:

- Analytical and Precision Balances
- Compact and Portable Balances
- High Capacity Balances
- Moisture analysers / balances
- Mechanical Scales
- Counting Scales
- Digital Weighing/Check-weighing Scales
- High performance Platform Scales
- Crane scales
- Medical Scales
- Retail Scales for Price computing

For a complete listing of all Adam products visit our website at
www.adamequipment.com

© Copyright by Adam Equipment Co. All rights reserved. No part of this publication may be reprinted or translated in any form or by any means without the prior permission of Adam Equipment.

Adam Equipment reserves the right to make changes to the technology, features, specifications and design of the equipment without notice.

All information contained within this publication is to the best of our knowledge timely, complete and accurate when issued. However, we are not responsible for misinterpretations which may result from the reading of this material.

The latest version of this publication can be found on our Website.

www.adamequipment.com